

THERMOMETER

AT-205

*Miniature Size



TC Measuring Range

Sensor	Code	Measuring Range	Resolution	Accuracy (23°C±5°C)
K	KC	0°C~+1000 °C	1°C	±0.8% F. S.
	KF	+32 °F~+1832 °F	1°F	±0.8% F. S.
J	JC	0°C~+400 °C	1°C	±0.8% F. S.
	JF	+32 °F~+752 °F	1°F	±0.8% F. S.

RTD Measuring Range

Sensor	Code	Measuring Range	Resolution	Accuracy (23°C±5°C)
PT-100	PA	-100.0°C~+199.9 °C	0.1°C	±0.2% F. S.
	PJ	-200°C~+600 °C	1°C	±0.4% F. S.
	PF	-328°F~+1112 °F	1°F	±0.4% F. S.

Specifications

Input Configuration: Single Ended
 Conversion: 2.5/sec
 Normal Mode Rejection: 40dB (Typ.)
 Display: LED, 8mm 3 1/2 digit
 Polarity: A "-" displayed automatically
 Power Supply: DC5V ±5% 90mA
 DC12V ±20% 40mA
 DC24V ±20% 20mA
 Operating Temperature: 0~50° C, 35 to 85%RH
 Dimensions: 24 (H) · 48 (W) · 66 (D)mm DIN Size
 Weight: Approx. 51g
 Dielectric Strength: Between Input (A, B, COM) and 0V terminal,
 DC500V
 Insulation Resistance: DC500V 100M at above terminals

TC Measurement Section

Sensor: K or J
 Temperature Display: °C or °F
 Resolution: 1°C or 1°F
 External Lead Resistance: Less than 100
 Cold Junction Compensator Accuracy: ±2° C (10° C~40° C)
 Burn-out Alarm: -1999 Flashing
 Excessive Input: DC ±5V

RTD Measurement Section

Sensor: PT-100
 Current for Resistance: 1mA (Typ.)
 Temperature Display: °C or °F
 Resolution: 0.1° C or 1° C, 1° F
 External Lead Resistance: Less than 1 /lead
 Linearizing Method: Analog Linearizing

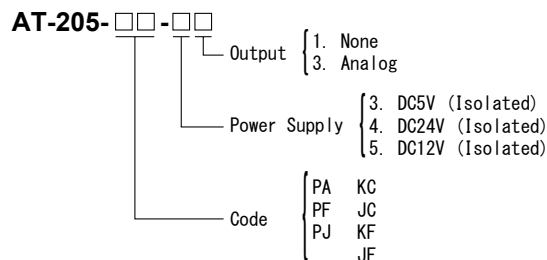
Analog Output Section

Voltage: 1mV/° C or 1mV/° F, 10mV/° C for PA
 Accuracy: ±2% F. S. (23° C ±5° C)
 External Lead Resistance: More than 20k

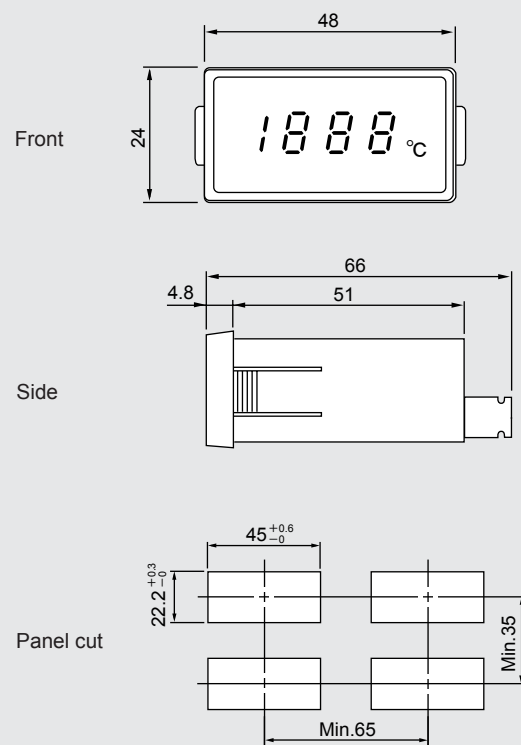
Features

- Small Size
- Power Supply DC5V, DC12V, DC24V
- Sensor Types K, J, and PT-100
- Analog Output (option)
- Screw Terminal
- Bright LED, 8mm (Red)

Ordering Code



Dimensions



Panel thickness 0.8 to 3.5mm

Connection Diagram

